

## OPCOM100-DAD4D 4-Channel Bidirectional DWDM ADM

OPCOM100-DAD4D is a 4-channel DWDM (Dense Wavelength Division Multiplexing) bidirectional add-and-drop device which transmits services on a dual-strand fiber. It performs de-multiplexing and multiplexing of four specific color wavelengths usually at an intermediate station to drop eight services from both west and east directions. The 'X' suffix stands for four specific DWDM color wavelength among C21C22C23C24, C25C26C27C28, C29C30C31C32, C33C34C35C36, C37C38C39C40, C41C42C43C44, C45C46C47C48, C49C50C51C52, C53C54C55C56, C57C58C59C60 (Cxy means C-band optical channel number). The wavelength channel spacing is 100GHz.

The device has the advantages of high integration and Low failure rate which can not only improve the integration of the system and reduce system failure points, but also enhance the system channel equalization. OPCOM100-DAD4D is appropriate for the 40 DWDM wavelengths transmission system which can provide a flexible "Pay-As-You-Grow" solution for a cost-effective and complete range of services transmission by directly deploying Fast Ethernet, Gigabit Ethernet, fiber channel and SDH services utilizing DWDM technologies, increasing the flexibility and capability of existing fiber lines cost-effectively.



OPCOM100-DAD4D-X

### Typical Application

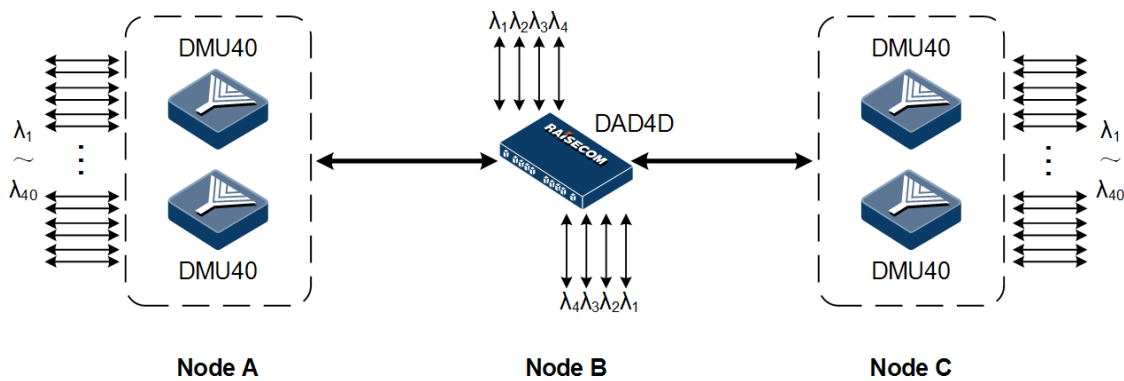


Figure.1 Chain Topology

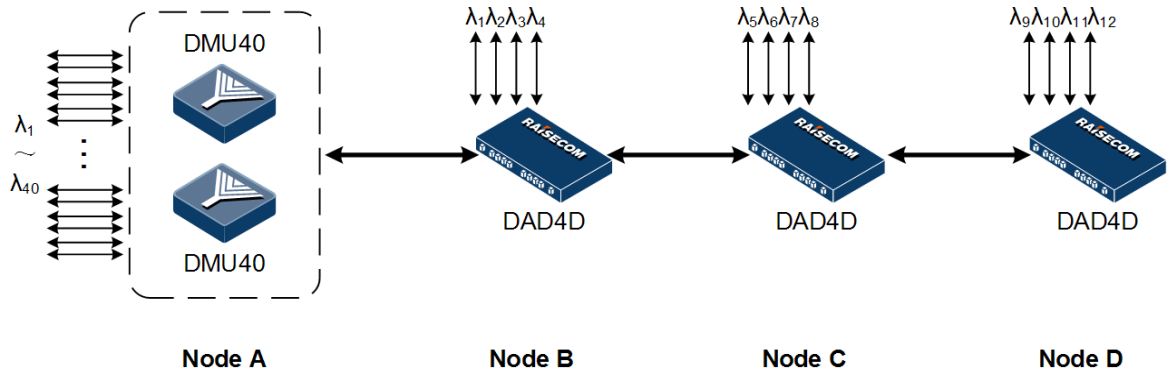


Figure.2 Point to multi Points Topology

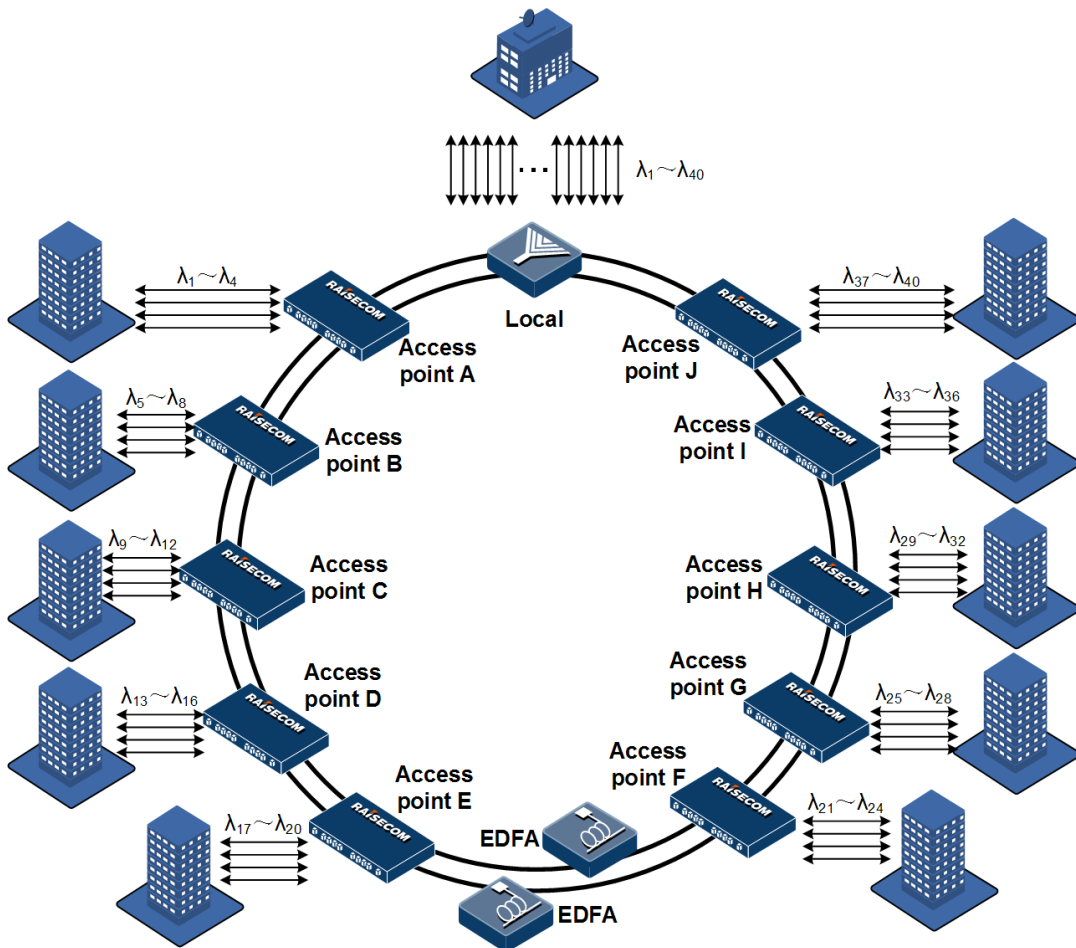


Figure.3 DWDM Ring Topology



## Key Features

<b>Features</b>	Provides 4-channel DWDM bidirectional add and drop wavelengths Transparent to services, working at any signal speed ADM works without power supply highly integrated system, less fault points
<b>Construction</b>	modular plug-in design; installed in DAD4D 2-slot chassis;
<b>Operating wavelength</b>	C21-C60
<b>Wavelength spacing</b>	100 GHz
<b>Service channel</b>	DWDM:4
<b>Channel uniformity</b>	≤0.5 dB
<b>Insertion loss</b>	≤2.5 dB(add and drop wavelength) ≤3.4 dB(straight in wavelength)
<b>Adjacent channel isolation</b>	≥28 dB
<b>Non-adjacent channel isolation</b>	≥40 dB
<b>Wavelength thermal stability</b>	≤0.001 nm/°C
<b>Insertion loss thermal stability</b>	≤0.008 dB/°C
<b>PDL(polarization dependence loss)</b>	≤0.3 dB
<b>Return loss</b>	≥40 dB
<b>Directivity</b>	≥40 dB
<b>Transmission media</b>	9/125um single mode fiber

## Specifications

<b>User Side Port</b>	LC/UPC optical port
<b>Line Side Port</b>	LC/UPC optical port
<b>Demensions</b>	Modular: 1U high 19 inches width
<b>Working Ambience</b>	Temp: -5~65 centigrade

## Storage Ambience

RH: 20~90% non-condensing

Temp: -40~85 centigrade

RH: 5~90% non-condensing

## Ordering Information

<b>OPCOM100-DAD4D-2124</b>	C21,C22,C23,C24 passive add and drop card, Optical interface: LC/UPC;
<b>OPCOM100-DAD4D-2528</b>	C25,C26,C27,C28 passive add and drop card, Optical interface: LC/UPC;
<b>OPCOM100-DAD4D-2932</b>	C29,C30,C31,C32 passive add and drop card, Optical interface: LC/UPC;
<b>OPCOM100-DAD4D-3336</b>	C33,C34,C35,C36 passive add and drop card, Optical interface: LC/UPC;
<b>OPCOM100-DAD4D-3740</b>	C37,C38,C39,C40 passive add and drop card, Optical interface: LC/UPC;
<b>OPCOM100-DAD4D-4144</b>	C41,C42,C43,C44 passive add and drop card, Optical interface: LC/UPC;
<b>OPCOM100-DAD4D-4548</b>	C45,C46,C47,C48 passive add and drop card, Optical interface: LC/UPC;
<b>OPCOM100-DAD4D-4952</b>	C49,C50,C51,C52 passive add and drop card, Optical interface: LC/UPC;
<b>OPCOM100-DAD4D-5356</b>	C53,C54,C55,C56 passive add and drop card, Optical interface: LC/UPC;
<b>OPCOM100-DAD4D-5760</b>	C57,C58,C59,C60 passive add and drop card, Optical interface: LC/UPC;

ITU-T Channel Number	Centre Frequency(THz)	Centre Wavelength(nm)	ITU-T Channel Number	Centre Frequency(THz)	Centre Wavelength(nm)
C21	192.1	1560.61	C22	192.2	1559.79
C23	192.3	1558.98	C24	192.4	1558.17
C25	192.5	1557.36	C26	192.6	1556.55
C27	192.7	1555.75	C28	192.8	1554.94
C29	192.9	1554.13	C30	193.0	1553.33
C31	193.1	1552.52	C32	193.2	1551.72
C33	193.3	1550.92	C34	193.4	1550.12
C35	193.5	1549.32	C36	193.6	1548.51
C37	193.7	1547.72	C38	193.8	1546.92
C39	193.9	1546.12	C40	194.0	1545.32
C41	194.1	1544.53	C42	194.2	1543.73

Raisecom Technology Co., Ltd.

[www.raisecom.com](http://www.raisecom.com)

International Headquarters  
Building 2, No. 28 of the Shangdi 6th Street,  
Haidian District, Beijing. 100085, China  
Tel: +86 10 8288 3305  
Fax: +86 10 8288 3056  
Email: [export@raisecom.com](mailto:export@raisecom.com)

U.S.A. Headquarters  
19337 US 19 North, Suite 306  
Clearwater, Florida. 33764. USA.  
Tel: +1 888 816 4808  
Fax: +1 727 547 9124  
Email: [sales@raisecomusa.com](mailto:sales@raisecomusa.com)

Copyright©1999-2011  
All rights reserved  
Technical information is subjected  
to change without notice



C43	194.3	1542.94	C44	194.4	1542.14
C45	194.5	1541.35	C46	194.6	1540.56
C47	194.7	1539.77	C48	194.8	1538.98
C49	194.9	1538.19	C50	195.0	1537.40
C51	195.1	1536.61	C52	195.2	1535.82
C53	195.3	1535.04	C54	195.4	1534.25
C55	195.5	1533.47	C56	195.6	1532.68
C57	195.7	1531.90	C58	195.8	1531.12
C59	195.9	1530.33	C60	196.0	1529.55