

# KOM600

## 2 Port Din-Rail Copper to Fiber Media Converters



### » Overview

The KOM600 is a ultra low power consumption Green industrial media convertor, its full load power consumption is as low as 2 watts. The KOM600 supports 1 100Base-FX fiber port and 1 10/100Base-T(X) copper port. The KOM600 provides 9-36VDC or 18-72VDC redundant power inputs, supports DIN-Rail mounting or Panel mounting, and IP40 protection class. It supports LFP (Link Fault Pass-Through).

### » Key Features

Green Ethernet solution with ultra low power consumption design, its full load power consumption is as low as 2 watts

1 100Base-FX port and 1 10/100Base-T(X) RJ45 port

Supports LFP (Link Fault Pass-Through)

Redundant power inputs with wide voltage range

Store and Forward switching

IP40 protection class

CE, FCC certificates

## » Product Specifications

### >Product Specifications

#### -Standard

IEEE 802.3i(10Base-T)

IEEE 802.3u(100Base-TX and 100Base-FX)

#### -Interface

Fast Ethernet Ports

100Base-FX, SM/MM port, FC/SC/ST connector

10/100Base-T(X) RJ45 port

#### -LED

Indicators in the front panel

Power LED: PWR1, PWR2

Interface LED: Link/ACT, Speed (RJ45 Ports); Link/ACT(Fiber Ports)

#### -Power Requirements

Power Input:

24-48VDC(18-72VDC)

12-24VDC(9-36VDC)

Power Terminal:

5-pin 5.08mm-spacing plug-in terminal block

Power Consumption<2w

Overload Protection: Support

Reverse Connection Protection: Support

Redundancy Protection: Support

#### -Physical Characteristics

Housing: Metal

Heat Dissipation Mode: Natural cooling, without fans

Protection Class: IP40

Dimensions:

30mm×115mm×91.5mm (W×H×D)

Weight: 0.46kg

Mounting: DIN-Rail or Panel mounting

**-Environmental Limits**

Operating Temperature: -40°C to +85°C

Storage Temperature: -40°C to +85°C

Ambient Relative Humidity: 5-95% (non-condensing)

**-Quality Assurance**

MTBF: 546,000 hrs

Warranty: 5 years

**-Approvals**

CE(EMC), FCC: Models with L2:24-48VDC

**-Industry Standard**

EMI:

FCC CFR47 Part 15,EN55022/CISPR22,Class A

EMS:

IEC61000-4-2(ESD) ±6kV(contact),±8kV(air)

IEC61000-4-3(RS) 10V/m(80MHz-2GHz)

IEC61000-4-4(EFT) Power Port:±2kV;Data Port:±1kV

IEC61000-4-5(Surge) Power Port:±1kV/DM,±2kV/CM;Data Port:±1kV

IEC61000-4-6(CS) 3V(10kHz-150kHz);10V(150kHz-80MHz)

Mechanical standards:

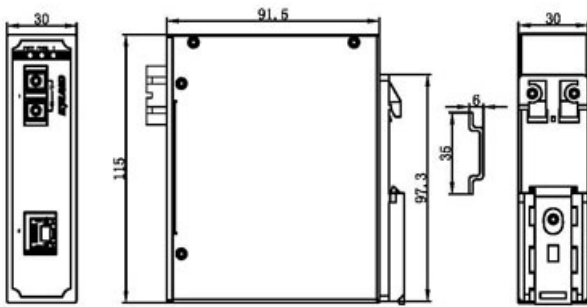
IEC60068-2-6 (Vibration),

IEC60068-2-27 (Shock),

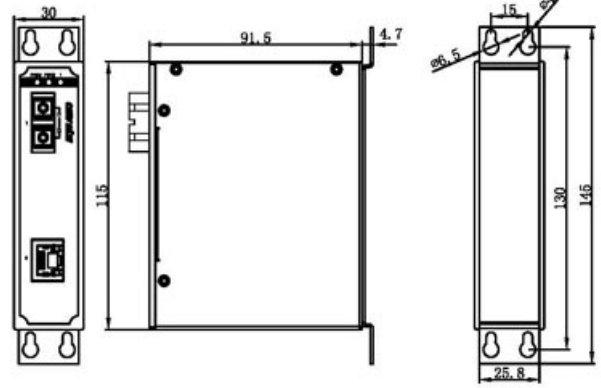
IEC60068-2-32 (Free Fall)

**» Mechanical Drawing**

DIN Rail Mounting



Panel Mounting



» Ordering Information

**KOM600-Ports-Connector-PS1-PS2**

**Ports**

- 1S1T 1 × 100Base-FX single mode port, 1 × 10/100Base-T(X) RJ45 port
- 1M1T 1 × 100Base-FX multi mode port, 1 × 10/100Base-T(X) RJ45 port

**Connector**

- SC05 SC connector, multi-mode, 1310nm, 5km
- ST05 ST connector, multi-mode, 1310nm, 5km
- FC05 FC connector, multi-mode, 1310nm, 5km
- SC40 SC connector, single-mode, 1310nm, 40km
- ST40 ST connector, single-mode, 1310nm, 40km
- FC40 FC connector, single-mode, 1310nm, 40km
- SC60 SC connector, single-mode, 1310nm, 60km
- SC80 SC connector, single-mode, 1550nm, 80km

**PS**

- L2-L2 24-48VDC(18-72VDC), redundant power inputs
- L5-L5 12-24VDC( 9-36VDC), redundant power inputs

**Accessories**

- DT-BGAZ-01 Panel for panel mounting
- DT-FCZ-RJ45-01 Dustproof cover for RJ45 port

Version:2017-09-08 13:06:51