

RC952-FEDS3/E3-F

Fast Ethernet over DS3/E3 Interface Converter

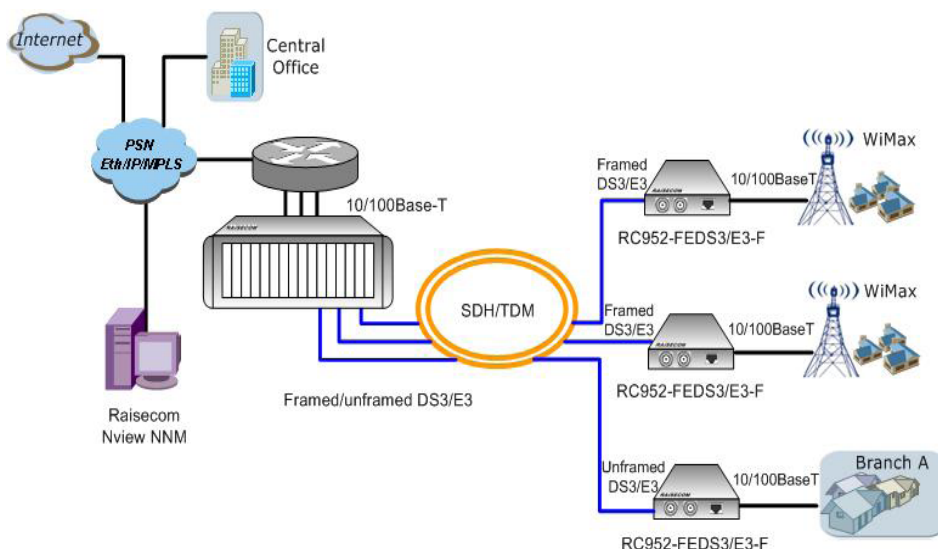
RC952-FEDS3/E3-F is Raisecom new generation Interface converter that delivers Fast Ethernet service over existing SDH/SONET transportation network. It can be installed in RC002 16-slot chassis for central site or in RC001-1 chassis as standalone unit for customer premise, realizing the integrated SNMP management and enabling an economical way to extend the distance of

existing Ethernet network by utilizing existing DS3 and E3 resources. Additionally its advanced features such as DS3/E3 loop back, Fault Pass Through, auto laser shutdown and remote network management provide carriers a flexible, reliable and cost-effective solution for high-quality Ethernet Service delivery by using PDH/SDH network infrastructure..

Feature

DS3/E3 mode	Unframed mode, or framed mode M23 and C-bit Parity mode for framed DS3, G.751 and G.832 for framed E3
Interface rate of transmission line	DS3 or E3 configurable through DIP-switch
Ethernet Encapsulation	HDLC-over-E1
Loop Back	Support local and remote loop back
BERT function	Inner BERT enables a flexible way of testing DS3/E3 links
Clock Mode	Master and Slave
Maximum Transmission Unit	1916 bytes
Flow control	IEEE802.3x in full duplex, back pressure in half duplex
VLAN	VLAN transparent forwarding
Fault Pass Through	DS3 or E3 to Ethernet interface fault propagation
Management/remote management	DIP-switch configuration, local and remote management via RC001-1M, RC002-4, and RC002-16 chassis with SNMP agent.

Typical Application



Ordering Information

Part Number	Description
RC952-FEDS3/E3-F	Fast Ethernet over DS3/E3 Interface Converter, 75ohm unbalanced DS3/E3 connector



RC952-FEDS3/E3-F

Specification

Electrical fast Ethernet port	Speed: 10/100BaseT Connector: RJ-45 MDI/MDIX auto crossover
E3 interface	Rate: 34.368MHz Connector: BNC Impedance: 75ohm Line coding: HDB3
DS3 interface	Rate: 44.736MHz Connector: BNC Impedance: 75ohm Line coding: B3ZS
Dimension	91(W)*172(D)*25(H)mm
Weight	0.23kg
Power supply	AC: 90~264V, 47~63Hz DC: - 36~75V
Power consumption	≤ 5W (at max load)
Working ambience	Temp: -5~50 centigrade RH: 20~90% non-condensing
Storage ambience	Temp: -25~85 centigrade RH: 20~90% non-condensing
Safety compliance	CE marking FCC Class A

Compliance

Standards & protocols	IEEE802.3 Ethernet IEEE802.3x full duplex IEEE802.3u 100BaseTX ITU-T G.703 ITU-T G.704 ITU-T G.823 Bellcore GR-499-CORE and ANSI T1.102_1993 Bellcore GR-499 CORE Category I and Category II, ITU-T G.824 Bellcore GR-499 CORE, ITU-T G.824
-----------------------	---