

# PTP over E1/T1 Module



- Plug-in interface module for time sync over SDH network
- ITU-T compliant E1/T1 interface with balanced or unbalance connection
- Less than 1 $\mu$ s synchronization accuracy
- Interface module for SICOM6028GPT, SICOM6424PT, SICOM3028GPT, SICOM3424PT

## Overview

PTP over E1/T1 precision clock interface module is specifically designed for Kyland GPT series including SICOM6028GPT, SICOM6424PT, SICOM3028GPT, and SICOM3424PT which support PTP protocol. It realizes precise transmission of Ethernet based clock messages over traditional SDH network with an accuracy of less than 1 $\mu$ s.

## Technical Specifications

### Interface

E1/T1 Interface  
 Speed: 2.048Mbps(E1), 1.544Mbps(T1)  
 Resistor: Unbalanced 75 $\Omega$ , Balanced 120 $\Omega$   
 Connector: Unbalanced BNC, Balanced RJ45  
 Electrical: ITU-T G.703, G.704  
 Standard: ITU-T G.823

### LED

LEDs on front panel  
 Operation status: RUN  
 Ethernet status: Ethernet  
 E1 Status: Link, Loss

### Physical Characteristics

Housing: Metal, fanless  
 Protection Class: IP40  
 Dimension (WxHxD): 122mmx20.3mmx114.1mm(WxHxD) (4.83x0.80x4.49 in.)  
 Weight: 0.3Kg (0.661 pound)

### Power Requirements

Power input: 3.3VDC  
 Power terminal: A type interface (powered by backplane)  
 Power consumption: <3W

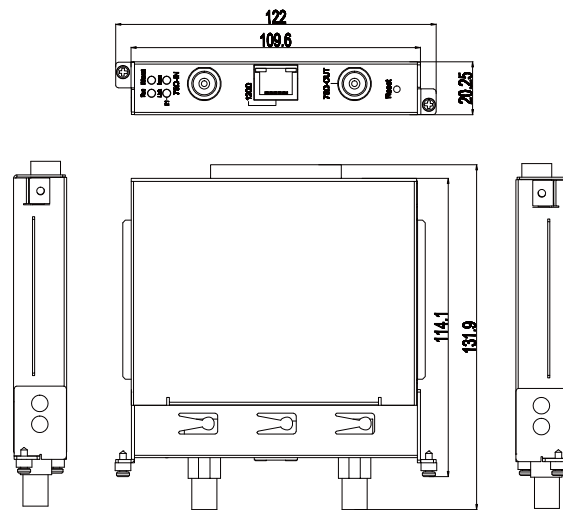
### Environmental Limits

Operating Temperature: -40 to 85°C (-40 to 185°F)  
 Storage Temperature: -40 to 85°C (-40 to 185°F)  
 Ambient Relative Humidity: 5 to 95% (non-condensing)

### Warranty

5 years

## Mechanical Drawing



## Ordering Information

SM6.6-PTP-OVER-E1/T1 = PTP time sync module over E1/T1