

### RC831 PDH Optical Multiplexer

RC831 is a series ideal standalone transmission device of optical fiber for point-to-point networks, medium-sized and small capacity networks, such as wireless communication base stations, private communication networks and switch networks. It is used to transfer E1 and V.35 service over optical fiber up to 120 kilometers. It can be applied to either public networks or various private networks. The transmission capacity of RC831 is various according to the different part number with different deployment mode. RC831 has local/remote alarm indicators on front panel and local/remote loop-back function benefiting fault location.

Additionally its advanced features such as daying gasy and ALS help to provide carriers a flexible and reliable transmission solution of multiple E1 and V.35. RC831 can be SNMP managed with "PC Agent" through console port of PC when used classically point-to-point with another RC831, and on the other hand it can work with RC832 module which inserted in managed RC002 or RC006 chassis, or work with other PDH cards inserted in OPCOM3500E chassis to realize SNMP remote management. As to power supply of RC831, besides AC or DC option, Raisecom also provides an wide range -36Vdc~+240Vac power supply.

### RC831-30-FV35 one V.35 port

Main Feature	One V.35 port and one optical port ALS function Dying Gasp function Local and remote alarm indicator Local and remote loop-back function fault pass through function
Optical Port	Code: Scrambled NRZ 150Mbps, SC or FC connector
V.35 Port	Port: M34 Data rate: 2048Kbps±50ppm unframed mode N*64Kbps (N=1~31) framed mode

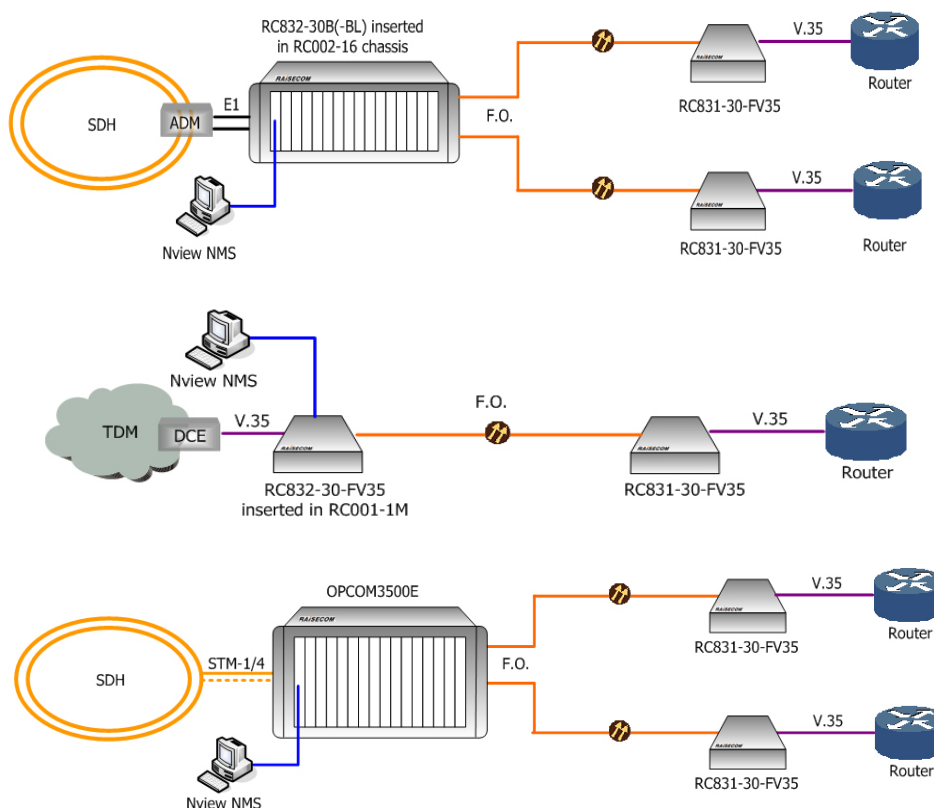


RC831-30-FV35 front panel



RC831-30-FV35 rear panel

### Application



### Specification

Power Supply	AC,DC and WP optional AC:100~240V, 50Hz DC: -48V (-36~-72V) +24V(+18~+36V) WP: -36Vdc~ +240Vac Power consumption: <10W
Ambience	Working temperature: 0~45 degree centigrade Working humidity: <= 90% (25 degree centigrade) Storage temperature: -40~80 degree centigrade Storage humidity: 5%~90% (non-condensing)
Dimension and Weight	186*38*142 mm (W*H*D) 0.9 Kg

### Compliance

Standards & protocols	CE certification;
-----------------------	-------------------

## RC831 PDH Optical Multiplexer

### Ordering Information

Part Number	Description
RC831-30-FV35-X-Y	standalone, one M34 V.35 port and one optical port
RC831-60-FV35-X-Y	standalone, one E1 port (BNC and RJ45 optional), one M34 V.35 port and one optical port
RC831-120-X-Y	standalone, 4 BNC unbalanced E1 ports and one optical port
RC831-120-BL-X-Y	standalone, 4 RJ45 balanced E1 ports and one optical port
RC831-240-X-Y	standalone, 8 BNC unbalanced E1 ports and one optical port
RC831-240-BL-X-Y	standalone, 8 RJ45 balanced E1 ports and one optical port
RC831-240E-X-Y	standalone, one optical port and 4 slots for E1, V.35 or fast Ethernet service with total 8E1 capacity
E-SUBM-FV35	expansion card of RC831-240E with one M34 V.35 port
E-SUBM-2FV35	expansion card of RC831-240E with 2 V.35 ports ( in one HDB26 interface)
CBL-V35-HDB26/2M34	cable from one HDB26 connector to two M34 connector
E-SUBM-2E1	expansion card of RC831-240E with 2 BNC unbalanced E1 ports
E-SUBM-4E1-BL	expansion card of RC831-240E with 4 RJ45 balanced E1 ports
E-SUBM-2FE	expansion card of RC831-240E with 2 FE ports, equal to two FE over E1 interface converters
E-SUBM-FX	expansion card of RC831-240E with one optical fast Ethernet port
E-SUBM-FE4E1	expansion card of RC831-240E with one FE port, equal to one FE over 4E1 inverse multiplexer

### x - Fiber Interface Specification

	Wavelength (nm)	Rx sensitivity (dBm)	Tx Power (dBm)	Typical distance (km)	Attenuation (dB/Km)	Min overload (dBm)
M	1310/850*	<-28	-20 - -14	2	3	>-14
S1	1310	<-34	-15 - -8	25	0.5	>-8
S2	1310	<-34	-5 - 0	60	0.5	>-8
S3	1550	<-36	-5 - 0(DFB)	120	0.25	>-10
SS13	1310Tx 1550Rx	<-30	-12 - -3	25	0.5	>-8
SS15	1550Tx 1310Rx	<-30	-12 - -3	25	0.5	>-8
SS23	1310Tx 1550Rx	<-32	-5 - 0	50	0.5	>-8
SS25	1550 Tx 1310 Rx	<-32	-5 - 0(DFB)	50	0.5	>-8
SS34	1490Tx 1550Rx	<-32	-5 - 0	100	0.5	>-8
SS35	1550 Tx 1490 Rx	<-32	-5 - 0(DFB)	100	0.5	>-8

### Y - Power Supply Specification

AC	AC power supply
DC	DC power supply
WP	AC and DC wide range power supply

\* +24V DC power supply is customized