



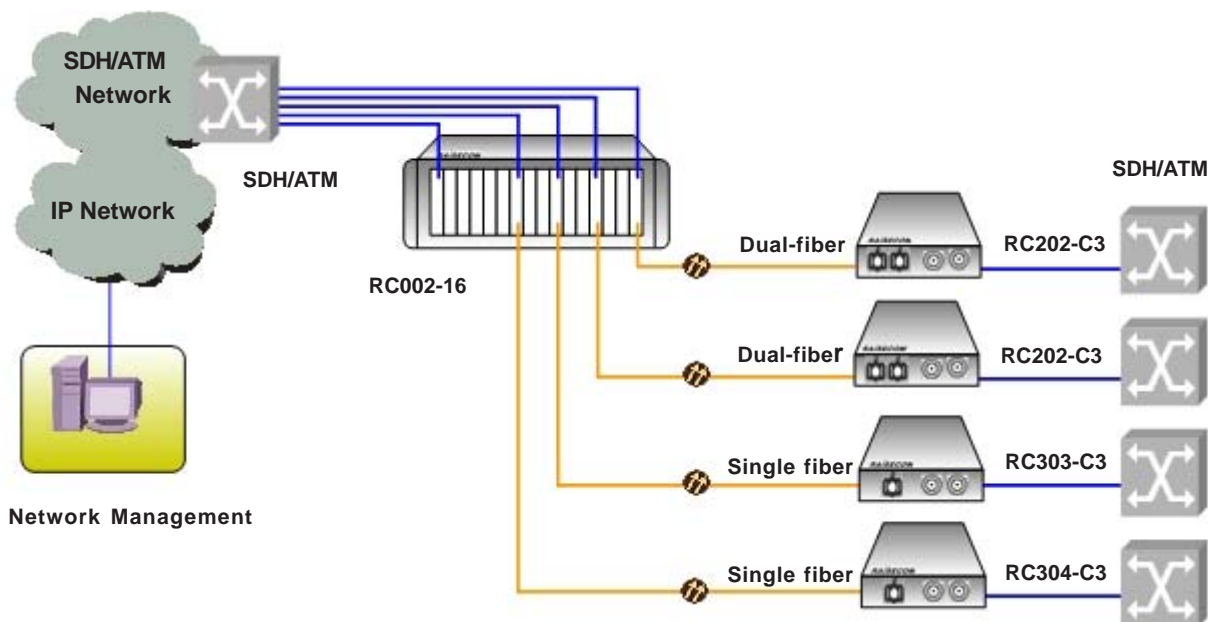
FEATURES

- ▶ Manageable fiber optical converter for STM-1 data rate
- ▶ Connecting branches via one STM-1/OC-3 connection
- ▶ As card, or pluggable into 1-slot chassis as standalone unit
- ▶ Single fiber solution available
- ▶ RC202-C3 enables the conversion of STM-1 signals with up to 155Mbps from copper to optical fiber. With these devices, crossovers between high-speed networks as intra-office applications and inter-site applications can be established based on SDH standard coding on the line interface.
- ▶ When an optional WDM optical fiber doubler is used, the capacity of the used fiber increases significantly as data is input and output via only one single fiber.
- ▶ Modular units can be hot-swapped, with high reliability.

SPECIFICATIONS

- ▶ Data rate:
155.52Mbps
- ▶ Interface:
Coax (BNC) and 100BaseFx 1310 nm multi/single mode, 1550 nm DFB single mode (SC connector).
- ▶ Transmission distance:
Up to 120km, single strand fiber solution is up to 60km.
- ▶ Dimensions:
91(W)*25(H)*155(D) (mm)
- ▶ Power Supply:
115/230V AC
-48DC
- ▶ Power Consumption:
5W
- ▶ Environment:
0~+45 degrees Centigrade operating
5%~90% humidity non-condensing
- ▶ Compliance:
CE certification
- ▶ Warranty:
3 years

APPLICATION



Point to multipoint application, connects two STM-1 interfaces with fiber. Transmission distance can up to 120km. It can be widely applied to SDH/ATM network. Modular units, including single mode and multimode module can be installed in RC002-16 16-slot chassis at central site. All modular units at central site have the carrier grade network management capability. Through network management platform, all working mode of these modules can be configured. Remote units without the remote network management capability, but through the fiber, loop-back and continuous link testing function can be realized. RC002-16 supports redundant, load sharing and hot-swappable power supply. The application provides a cost-effective solution for carriers.

ORDERING INFO

Part Number	Description
RC202-C3-M	Module, 155Mbps, STM-1 media converter, SNMP-management, MM, 0~2km, DSC-CC3, 1310nm
RC202-C3-S1	Module, 155Mbps, STM-1 media converter, SNMP-management, SM, 0~25km, DSC-CC3, 1310nm
RC202-C3-S2	Module, 155Mbps, STM-1 media converter, SNMP-management, SM, 10~60km, DSC-CC3, 1310nm
RC202-C3-S3	Module, 155Mbps, STM-1 media converter, SNMP-management, SM, 15~120km, DSC-CC3, 1550nm/DFB
RC303-C3-S1	Module, 155Mbps, STM-1 media converter, SNMP-management, SSF, Dual WL 1310nmTX 1550nmRX, 0~25km, SC/PC-CC3
RC303-C3-S2	Module, 155Mbps, STM-1 media converter, SNMP-management, SSF, Dual WL 1310nmTX 1550nmRX, 10~60km, SC/PC-CC3
RC304-C3-S1	Module, 155Mbps, STM-1 media converter, SNMP-management, SSF, Dual WL 1550nmTX 1310nmRX, 0~25km, SC/PC-CC3
RC304-C3-S2	Module, 155Mbps, STM-1 media converter, SNMP-management, SSF, Dual WL 1550nmTX 1310nmRX, 10~60km, SC/PC-CC3