

KODT3000/3000B

Multi-Serial to Optical Fiber Terminals



CE, FCC, UL

Overview

The KODT series is specially designed for industrial application by KYLAND. It comes as the combination of serial data transmission, Ethernet and optical technology and communication for industrial process control.

Features

- Operating temperature: -40 to 75°C (-40 to 167°F)
- Dual redundant fiber technology, recovery time < 20ms
- Serial ports: RS232/422/485
- Alarm output for fiber ports
- Dual master station backup
- 9 full duplex data channels, 9x9 digital cross-connection
- Bus control arbitration for the data conflict
- Level reversion and conversion for data interface
- Up to 2 industrial Ethernet ports
- Automatic generation of network topology
- Wall mounting and rack mounting
- Management software specially designed by KYLAND

Applications

- Electric Power Grid Automation
- Digital Monitor of Transportation
- Water Treatment
- Digital Processing of Water Supply
- Factory Process Control
- SCADA System
- Building Automation
- Other Control System for Remote and Distributed Serial Port Equipments

Technical Specifications**Serial Port**

Bit Error Rate: $\leq 10^{-10}$
 Asynchronous rate: 0-115.2Kbps (Adaptive)
 Electric characteristics: Accord with relevant requirements of Standard RS232, RS422, RS485
 Physical interface: DB15-hole
 Quantity of serial ports: 4(KODT3000), 9(KODT3000B)

Optical Fiber Interface

Transmitting Optical Power: >-13dbm(single mode)
 >-20dbm(multi mode)
 Receiving Sensitivity: <-28dbm(single mode)
 <-34dbm(multi mode)
 Line rate: 32Mbit/s
 Connector: FC/SC(optional)
 Port quantity: 2 pairs (KODT3000), 4 pairs (KODT3000B)
 Console interface: RS232, RJ45

Ethernet Interface

Network standard: IEEE802.3 10Base-T
 Interface: RJ45 socket (shielded)
 Port quantity: 1 (KODT3000), 2(KODT3000B)

Network

Ring, star, chain and tangent ring network topology.

Power Requirements

Power input: 5VDC, 12VDC, 24VDC, 48VDC, 220VAC
 Power consumption: <4W(KODT3000), <6W(KODT3000B)

Physical Characteristics

Casing: IP30
 Dimensions(WxHxD): 129x158x28 mm (5.04x6.22x1.10 in.) (KODT3000)
 Dimensions(WxHxD): 482.6x44x160 mm (19x1.73x6.30 in.) (KODT3000B)
 Weight: 1000g (2.205 pounds)
 Installation: Wall mounting(KODT3000) and rack mounting (KODT3000B)

Environmental Limits

Operating Temperature: -40 to 75°C (-40 to 167°F)
 Storage Temperature: -45 to 85°C (-49 to 185°F)
 Ambient Relative Humidity: 0 to 95% (non-condensing)

Approvals

EMC interference immunity:
 IEC61000-4-2(ESD): ± 4 KV contact discharge, ± 8 KV air discharge
 IEC61000-4-3(RS): 10V/M (80-1000MHz)
 IEC61000-4-4(EFT): ± 2 KV power line, ± 1 KV data line
 IEC61000-4-5(Surge): ± 2 KV(line/earth), ± 1 KV (line/line)power line, ± 1 KV data line
 IEC61000-4-6(CS): 3V(10KHZ~150KHZ), 10V(150KHZ~80KHZ)

EMC emitted immunity:

FCC CFR47 Part15: FCC CFR47 Part 15 Class A
 EN55022: EN55022 Class A
 UL60950, CE, FCC

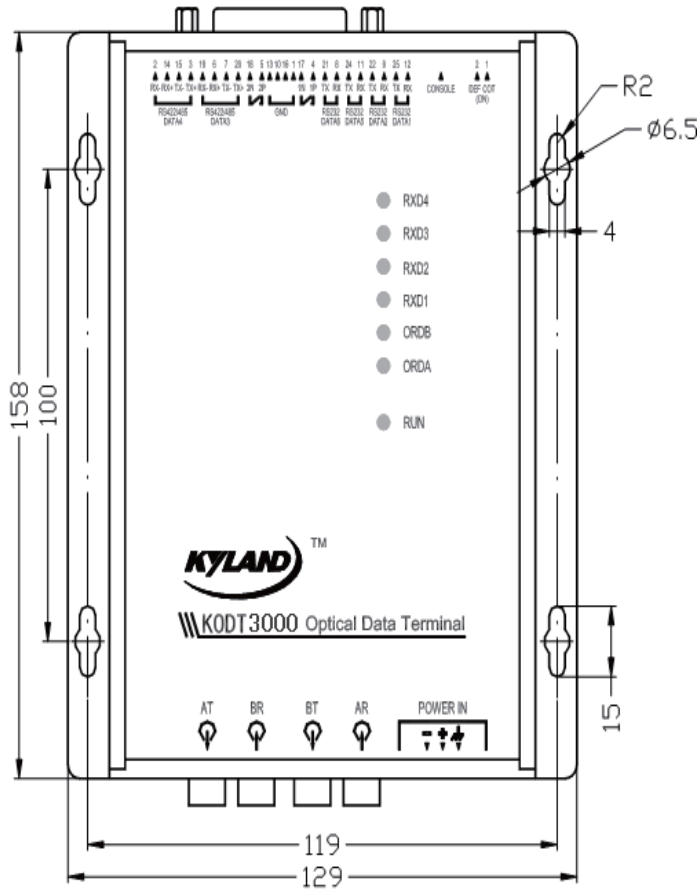
MTBF

35 years

Warranty

5 Years

Mechanical Drawing



Ordering Information

Model	Fiber Connector	Data Interface	Installation
KODT3000-2S	2x100Base-FX(S)	4xRS232, 2xRS485	Wall mounting
KODT3000B-2S	2x100Base-FX(S)	8xRS232, 2xRS485	Rack mounting
KODT3000B-4S	4x100Base-FX(S)	8xRS232, 2xRS485	Rack mounting