

KODT2200/2200B

Multi-Serial to Optical Fiber Terminals



CE, FCC, UL

Overview

The KODT series is specially designed for industrial application by KYLAND. It comes as the combination of serial data transmission, Ethernet and optical technology and communication for industrial process control.

Features

- Operating temperature: -40 to 75°C (-40 to 167°F)
- Dual redundant fiber technology, recovery time <20ms
- Serial ports: RS232/422/485
- Alarm output for fiber ports
- Dual master station backup
- 8 full duplex data channels, 8x8 digital cross-connection
- Bus control arbitration for the data conflict
- Level reversion and conversion for data interface
- Wall mounting and rack mounting
- Management software specially designed by KYLAND

Applications

- Electric Power Grid Automation
- Digital Monitor of Transportation
- Water Treatment
- Digital Processing of Water Supply
- Factory Process Control
- SCADA System
- Building Automation
- Other Control System for Remote and Distributed Serial Port Equipments

Technical Specifications**Serial Port**

Bit Error Rate: $\leq 10^{-10}$
 Asynchronous rate: 0-115.2Kbps (Adaptive)
 Electric characteristics: Accord with relevant requirements of Standard RS232, RS422, RS485
 Physical interface: DB25-hole
 Quantity of serial ports: 6(KODT2200), 8(KODT2200B)

Optical Fiber Port

Transmitting Optical Power: >-13dbm(single mode)
 >-20dbm(multi mode)
 Receiving Sensitivity: <-28dbm(single mode)
 <-34dbm(multi mode)

Line rate: 32Mbit/s
 Connector: FC/SC(optional)
 Port quantity: 2 pairs (KODT2200), 4 pairs (KODT2200B)
 Console interface: RS232, RJ45

Network

Ring, star, chain and tangent ring network topology.

Power Requirements

Power input: 5VDC, 12VDC, 24VDC, 48VDC, 220VAC
 Power consumption: <2W(KODT2200), <3W(KODT2200B)

Physical Characteristics

Casing: IP30
 Fanless design
 Dimensions(WxHxD): 129x158x28 mm (5.04x6.22x1.10 in.) (KODT2200)
 Dimensions(WxHxD): 482.6x44x140 mm (19x1.73x5.51 in.) (KODT2200B)
 Weight: 1000g (2.205 pounds)
 Installation: Wall mounting(KODT2200) and rack mounting (KODT2200B)

Environmental Limits

Operating Temperature: -40 to 75°C (-40 to 167°F)
 Storage Temperature: -45 to 85°C (-49 to 185°F)
 Ambient Relative Humidity: 0 to 95% (non-condensing)

Approvals

EMC interference immunity:
 IEC61000-4-2(ESD): ± 4 KV contact discharge, ± 8 KV air discharge
 IEC61000-4-3(RS): 10V/M (80-1000MHz)
 IEC61000-4-4(EFT): ± 2 KV power line, ± 1 KV data line
 IEC61000-4-5(Surge): ± 2 KV(line/earth), ± 1 KV (line/line)power line, ± 1 KV data line
 IEC61000-4-6(CS): 3V(10KHZ~150KHZ), 10V(150KHZ~80KHZ)

EMC emitted immunity:
 FCC CFR47 Part15: FCC CFR47 Part 15 Class A
 EN55022: EN55022 Class A
 UL60950, CE, FCC

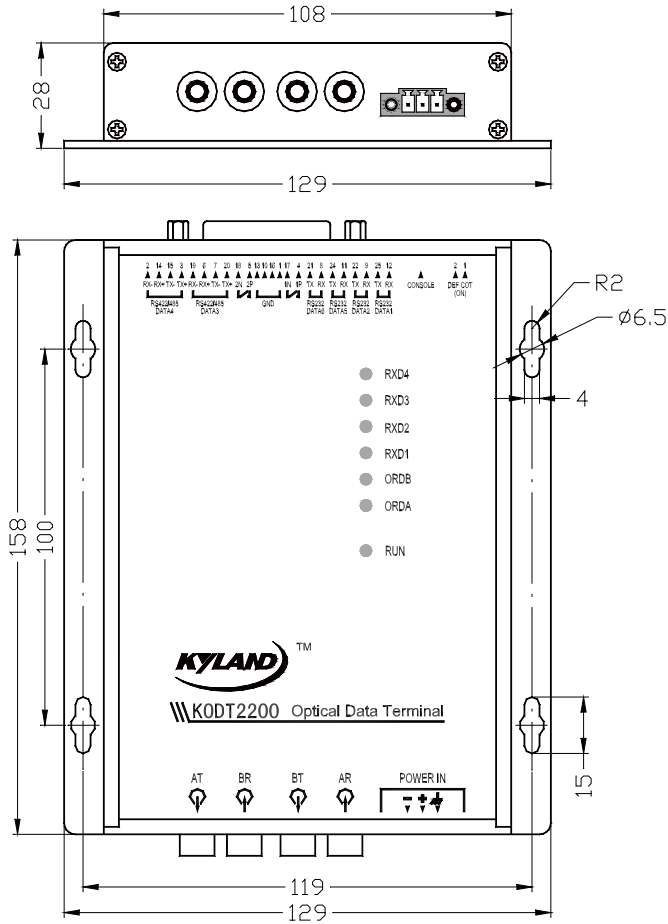
MTBF

35 years

Warranty

5 Years

Mechanical Drawing



Ordering Information

Model	Fiber Connector	Data Interface	Installation
KODT2200-2S	2x100Base-FX(S)	4xRS232, 2xRS422/RS485	Wall mounting
KODT2200B-2S	2x100Base-FX(S)	8xRS232, 4xRS422/RS485	Rack mounting
KODT2200B-4S	4x100Base-FX(S)	8xRS232, 4xRS422/RS485	Rack mounting