

KIEN8000

8 Port PoE-enabled IP67 Unmanged Industrial Ethernet Switch



CE, FCC, UL, RoHS

Overview

KIEN8000 is a PoE-enabled PSE (Power Sourcing Equipment) industrial Ethernet switch with IP67 protection. It offers eight feeding RJ45 or M12 ports, which can supply DC24V voltage and up to 300mA current to remote Ethernet instruments or PoE Powered Devices (PD).

Features

- Operating temperature: -40 to 75°C (-40 to 167°F)
- Dual 24VDC power supply
- Support PoE (Power Over Ethernet)
- IP67 protection class
- RJ45 or M12 connector
- EMC industrial level 4, complies with IEC61850 standard.

Functions**PoE Function**

KIEN8000 series Industrial Ethernet Switches support PoE (Power over Ethernet). Not only do traditional Ethernet network devices need to be connected to Ethernet switches, they also need to be connected to the power supply to provide electricity. Now the EPA (Ethernet Plant Automation) organization has been set up in China, taking as one of their projects the discussion of how to transmit Ethernet electricity and DC at the same time through a TP cable. KYLAND, as a member of EPA, has successfully developed KIEN8000 to solve this problem.

LED Indicator

The LEDs of the front panel indicate the port status correctly including transmission rate, link status and system status.

Layer-2 Switching

Switches work in two ways: Cut-Through and Store-and-Forward.

In Cut-Through, a data packet is immediately relayed after detecting the target address; in Store-and-Forward, a data packet is first read-in completely and checked for errors before the switch relays the same. KIEN8000 employs Store-and-Forward—a switching mode widely used.

Technical Specifications**Standard**

IEEE802.3
IEEE802.3U
IEEE802.3X
Store and forward switching mode

Network

Chain and star network topology.

Service

Diagnostics : LEDs (power, link status, port rate),
fault relays (24VDC/1A)
Security: Port security (MAC based and IP based)
Other services: Broadcastlimite

Interface

8x10/100Base-T/TX, RJ45 or M12 socket, power-feeding available

Power Requirements

Power input: 24VDC (18-36VDC) Dual redundant
Power consumption: <64W
PoE output voltage: 24VDC
PoE output current: 300mA

Physical Characteristics

Casing: IP67 protection
Fanless design
Dimensions(WxHxD): 120x215x66 mm (4.72x8.46x2.60 in.)
Weight: 2000g (4.409 pounds)
Installation: DIN-Rail or wall mounting

Environmental Limits

Operating Temperature: -40 to 75°C (-40 to 167°F)
Storage Temperature: -45 to 85°C (-49 to 185°F)
Ambient Relative Humidity: 0 to 95% (non-condensing)

Approvals

EMC interference immunity:
IEC61000-4-2(ESD): ±8KV contact discharge, ±15KV air discharge
IEC61000-4-3(RS): 10V/M (80-1000MHz)
IEC61000-4-4(EFT): ±4KV power line, ±4KV data line
IEC61000-4-5(Surge): ±4KV(line/earth), ±4KV (line/line)power line,
±2KV data line
IEC61000-4-6(CS): 3V(10KHZ~150KHZ), 10V(150KHZ~80KHZ)

EMC emitted immunity:

FCC CFR47 Part15: FCC CFR47 Part 15 Class A
EN55022: EN55022 Class A
UL60950, CE, FCC, UL, ROHS

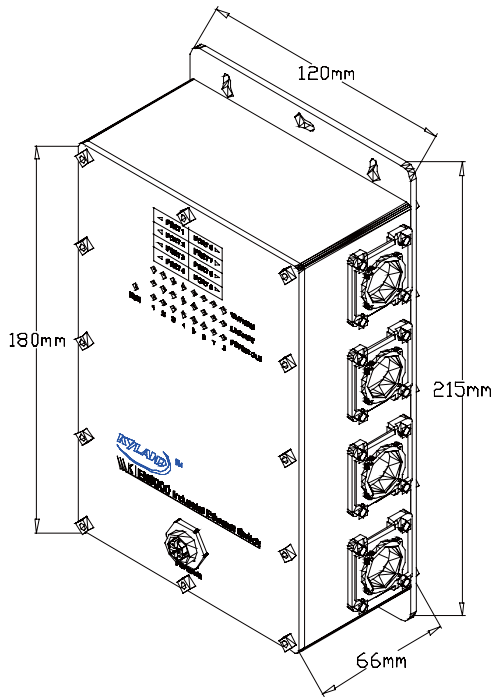
MTBF

35 years

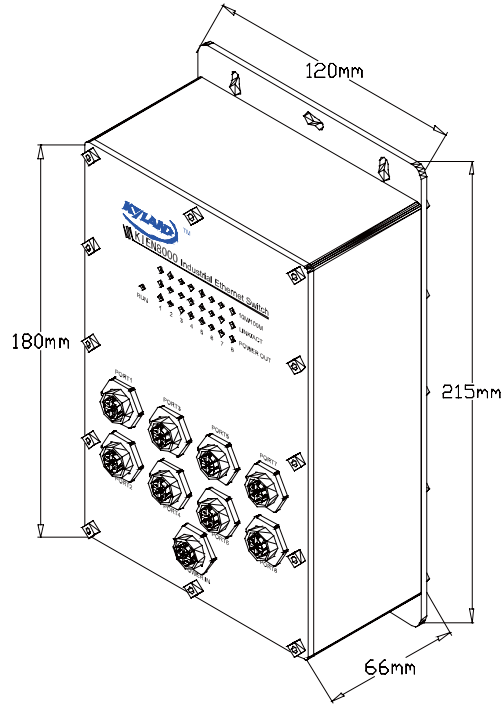
Warranty

5 Years

Mechanical Drawing



KIEN8000-RJ45(P)



KIEN8000-M12(P)

Ordering Information

Model	Description
KIEN8000-RJ45	8 x 10/100Base-T/TX self-adaptive, RJ45
KIEN8000-RJ45P	8 x 10/100Base-T/TX self-adaptive, RJ45, PoE enabled
KIEN8000-M12	8 x 10Base-TX M12
KIEN8000-M12P	8 x 10Base-TX M12, PoE enabled